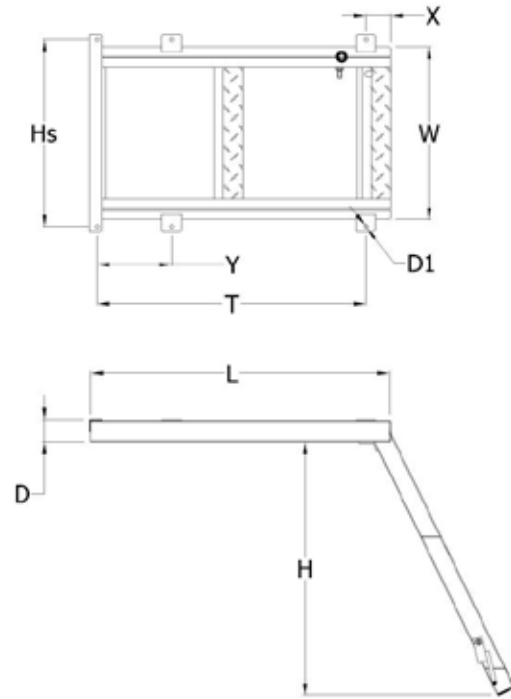


Body Components - General Equipment

Access Steps

Amended 14.04.10

Step and Stow 2 Rung comes with the unique transit latch designed for safe storage plus side and rear mounting brackets incorporating slotted holes. Access steps are galvanised finished and also offer wide sure footing chequer plate tread plates



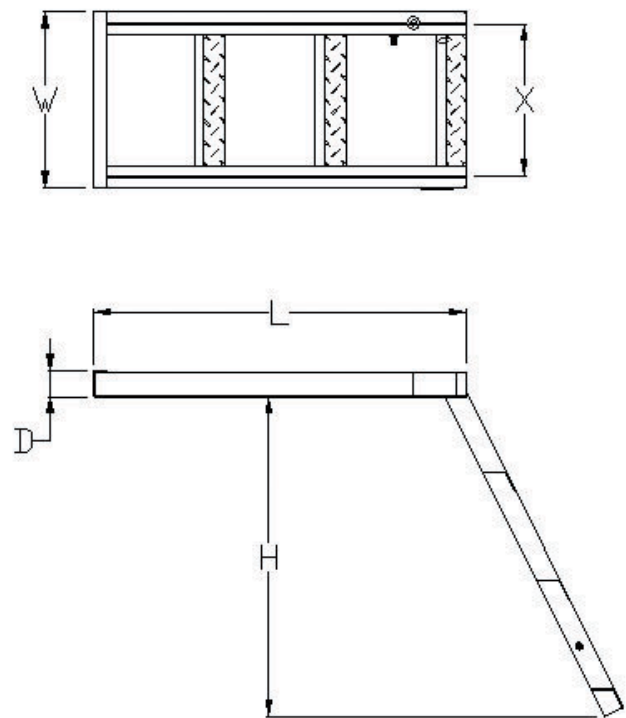
Product Reference	L	W	H	T	D	D1	Hs	X	Y	Mass Kgs
V237016	600	355	515	545	45	10*15	390-400	50	185	6.6

Body Components - General Equipment

Access Steps

Amended 14.04.10

Step and Stow 3 Rung Series: the 237039 is self-mounting without brackets
It comes with the unique transit latch designed for safe storage. Access steps are finished in zinc and clear passivate to BS1706 and also offer wide sure footing chequer plate tread plates



Product Reference	L	W	H	T	D	Hs	X	Y	Mass Kgs
V237039	700	330	600	-	45	-	280	-	6.6