

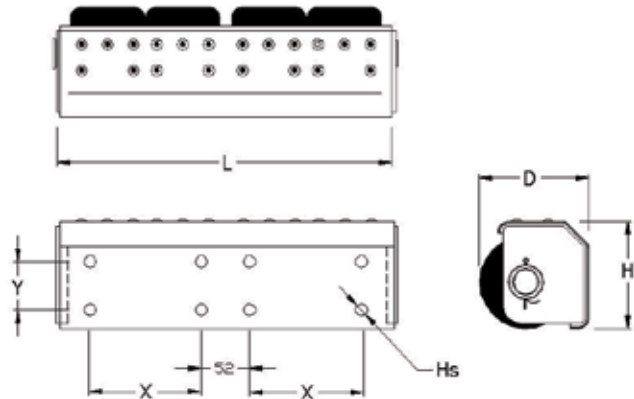
Body Components - General Equipment

Rollers

Amended 14.04.10

Quad Roller

Heavy duty fabricated steel body
28mm axle shaft
Rubber rollers made from EPDM
Unique Toe Grip pattern

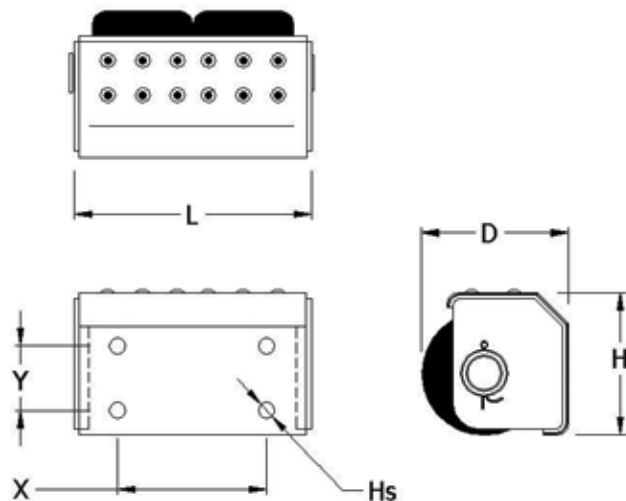


Product Reference	L	W	H	T	D	Hs	X	Y	Mass Kgs
-------------------	---	---	---	---	---	----	---	---	----------

V240011	370	-	120	-	120	13	120	52	11.45
---------	-----	---	-----	---	-----	----	-----	----	-------

Twin Roller

Heavy duty fabricated steel body
28mm axle shaft
Rubber rollers made from EPDM
Unique Toe Grip Pattern



Product Reference	L	W	H	T	D	Hs	X	Y	Mass Kgs
-------------------	---	---	---	---	---	----	---	---	----------

V240010	190	-	120	-	120	13	120	52	6.25
---------	-----	---	-----	---	-----	----	-----	----	------

Phone: 01474 321954 Fax 01474 321988