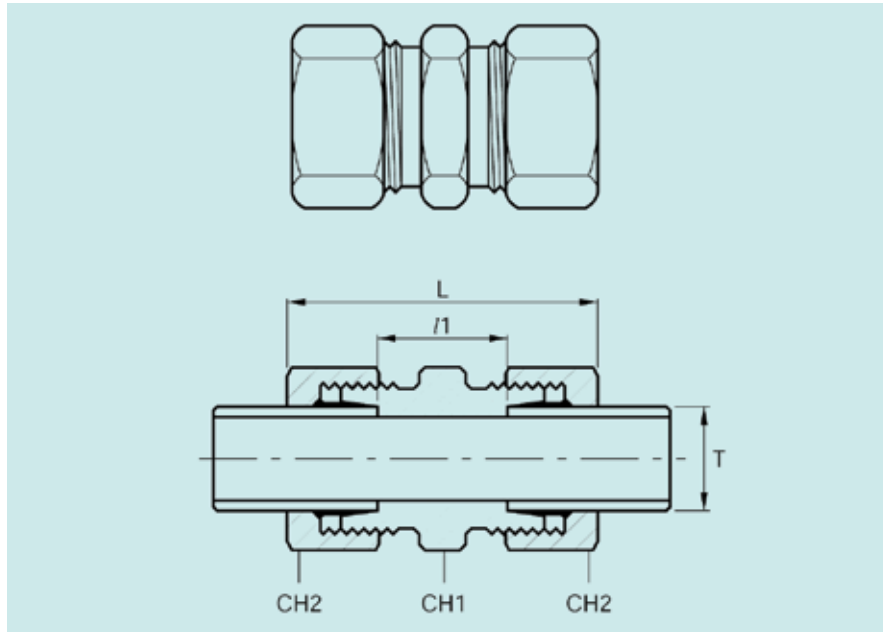


# Hydraulics

## METRIC STRAIGHT COUPLINGS



Series	Part No	Size OD	CH1	CH2	L	/1
L	MSC10L	10mm	17	19	42	1
L	MSC12L	12mm	19	22	43	14
L	MSC15L	15mm	24	27	46	16
L	MSC22L	22mm	32	36	52	20
S	MSC10	10mm	19	22	49	17
S	MSC12	12mm	22	24	51	19
S	MSC20	20mm	32	36	66	23
S	MSC25	25mm	41	46	74	26

L Series is Light and S Series is heavy.

All metric couplings are manufactured in accordance with DIN 2353, with either conical (DIN3858 - DIN158 - NPT) or cylindrical (UNI ISO 228 - UNF - UNI 4535) threading

All manufactured in carbon steel.

The above represent only a small sample of couplings available.

## Module 1