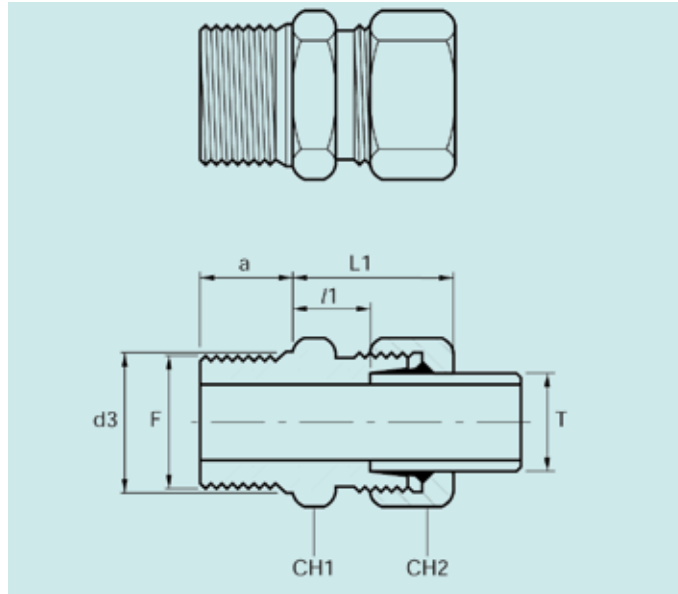


Hydraulics

METRIC MALE STUD COUPLINGS Thread BSP Cylindrical (UNI ISO 228) L Series



Part No	Size	Bsp Thread	CH1	CH2	a	d3	L1	/f1
MMC6-4L	6mm	1/4	19	14	12	18	24.5	10
MMC8-4L	8mm	1/4	19	17	12	18	25	10
MMC10-6L	10mm	3/8	22	19	12	22	27.5	12.5
MMC12-6L	12mm	3/8	22	22	12	22	27	12.5
MMC15-8L	15mm	1/2	27	27	14	26	29	14
MMC18-8L	18mm	1/2	27	32	14	26	31	14.5
MMC22-12L	22mm	3/4	32	36	16	32	33	16.5
MMC28-16L	28mm	1	41	41	18	39	34	17.5
MMC35-20L	35mm	1.1/4	50	50	20	49	30	17.5
MMC42-24L	42mm	1.1/2	55	60	22	55	42	19

L Series is Light

BSP cylindrical (UNI ISO 228 - UNF - UNI 4535) threading

All manufactured in carbon steel.

The BSP Threads are all countersunk 60°, suitable for hose connection

The above represent only a small sample of couplings available.

Module 3