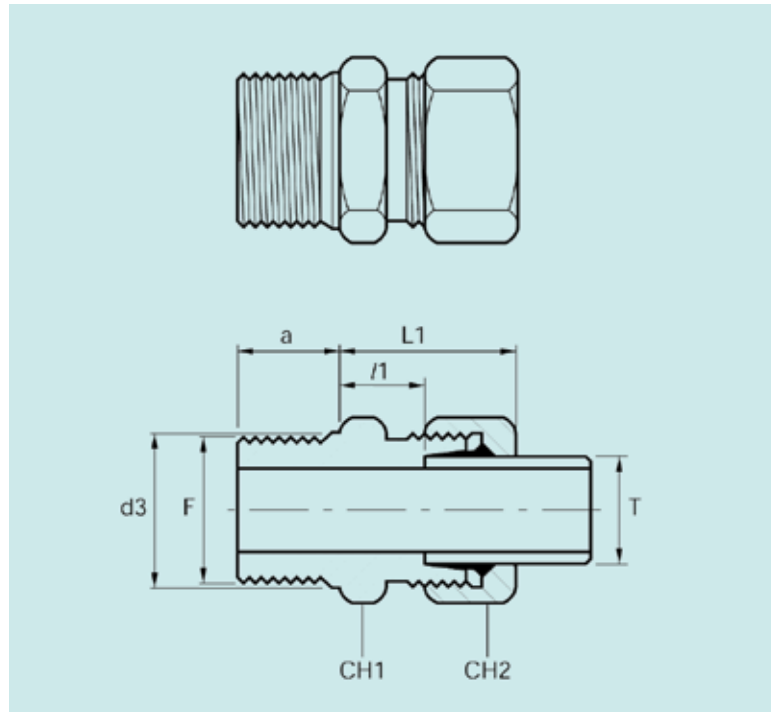


Hydraulics

METRIC MALE STUD COUPLINGS Thread BSP Cylindrical (UNI ISO 228) S Series



Part No	Size	Bsp Thread	CH1	CH2	a	d3	L1	/l1
MMC8-4	8mm	1/4	19	19	12	18	30	15
MMC10-6	10mm	3/8	22	22	12	22	31	15
MMC12-6	12mm	3/8	22	24	12	22	33	17
MMC16-8	16mm	1/2	27	30	14	26	37	18.5
MMC20-12	20mm	3/4	32	36	16	32	42	20.5
MMC25-16	25mm	1	41	46	18	39	47	23
MMC30-16	30mm	1	46	50	18	39	50	23.5
MMC38-24	38mm	1.1/2	55	60	22	55	57	26

S Series is heavy.

BSP cylindrical (UNI ISO 228 - UNF - UNI 4535) threading

All manufactured in carbon steel.

The BSP Threads are all countersunk 60°, suitable for hose connection

The above represent only a small sample of couplings available.

Module 4

Phone: 01474 321954 Fax: 01474 321988