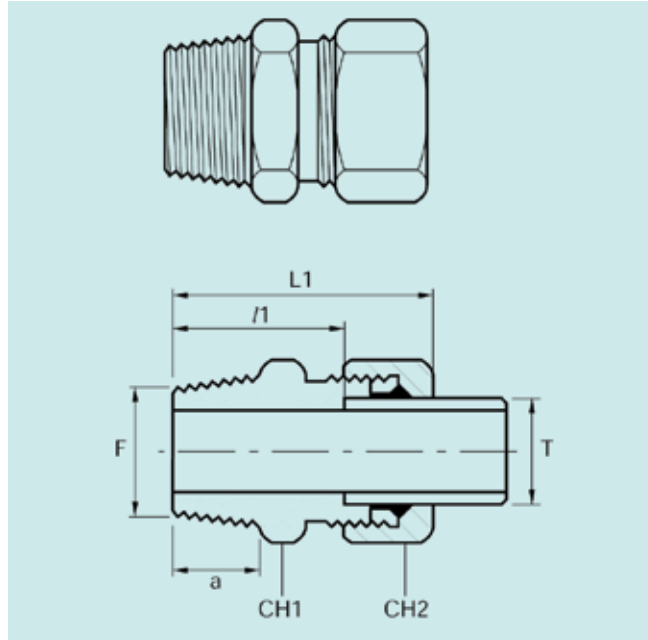


Hydraulics

METRIC BSP TAPER STUD COUPLINGS Thread BSP Tapered (DIN 3858)



Series	Part No	Size	Bspt Thread	CH1	CH2	a	L1	/l1
L	MMC6-4TL	6mm	1/4	17	14	13	36	21
L	MMC8-4TL	8mm	1/4	17	17	13	36	21
L	MMC10-6TL	10mm	3/8	19	19	13	38	23
L	MMC12-6TL	12mm	3/8	19	22	13	38	23
L	MMC15-8TL	15mm	1/2	24	27	16	42	27
L	MMC22-12TL	22mm	3/4	32	36	18	48	31.5
S	MMC10-6T	10mm	3/8	19	22	13	42	25.5
S	MMC12-8T	12mm	1/2	24	24	16	47.5	30.5

L Series is Light and S Series is heavy
BSP cylindrical (UNI ISO 228 - UNF - UNI 4535) threading
All manufactured in carbon steel.

The above represent only a small sample of couplings available.

Module 5

Phone: 01474 321954 Fax: 01474 321988