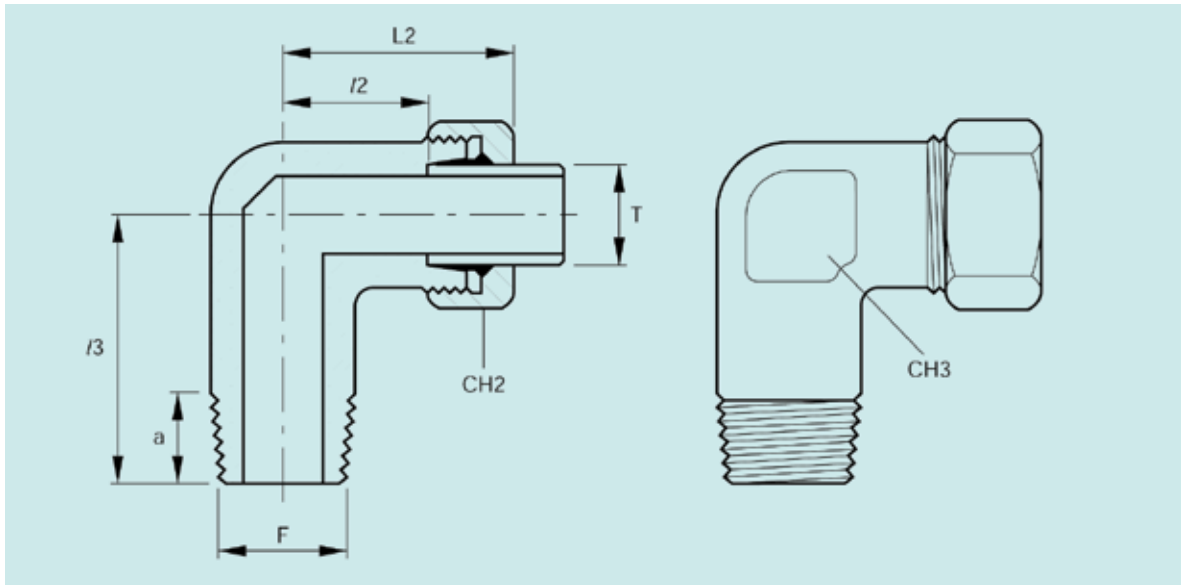


Hydraulics

METRIC BSP TAPER MALE STUD ELBOWS Thread BSP Tapered (DIN 3858) - L Series



Part No	Size OD	Bspt Thread	CH3	CH2	a	L2	/2	/3
MME12-6TL	12mm	3/8	17	22	12	32	17	28
MME15-8TL	15mm	1/2	19	27	12	36	21	34
MME22-12TL	22mm	3/4	27	36	16	44	27.5	42

L Series is Light
All manufactured in carbon steel.

The above represent only a small sample of elbows available.

Module 7

Phone: 01474 321954 Fax: 01474 321988