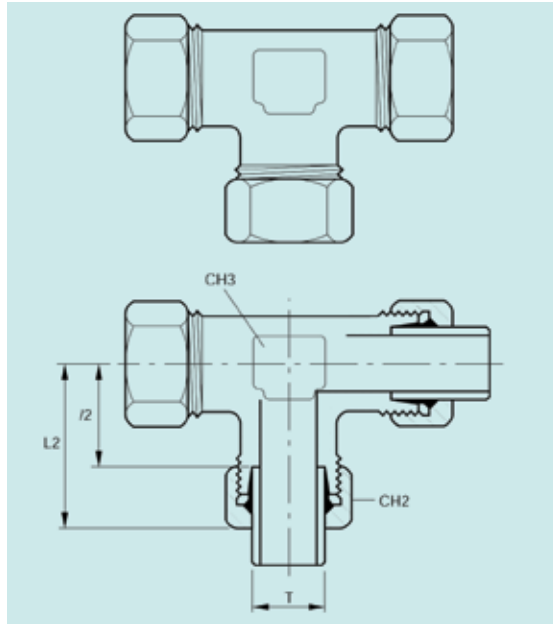


Hydraulics

METRIC EQUAL TEES



Series	Part No	Size OD	CH3	CH2	L2	/2
L	MT8L	8mm	12	17	29	14
L	MT10L	10mm	14	19	30	15
L	MT12L	12mm	17	22	32	17
L	MT15L	15mm	19	27	36	21
L	MT22L	22mm	27	36	44	27.5
S	MT10	10mm	17	22	34	17.5
S	MT12	12mm	17	24	38	21.5
S	MT16	16mm	24	30	43	24.5
S	MT20	20mm	27	36	48	26.5
S	MT25	25mm	36	46	54	30

L Series is Light and S Series is heavy
All manufactured in carbon steel.

The above represent only a small sample of tees available.

Module 9

Phone: 01474 321954 Fax: 01474 321988