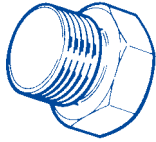


Components - Fittings

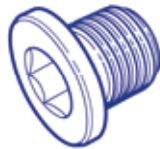
BLANKING PLUG



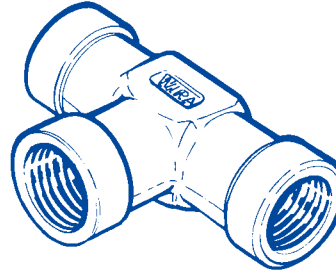
MSK800
- Maxi-Stor Box
 Contains fast mover
 push-in fittings

| Thread Size | Part No | c/w T&O | Pkt No |
|-------------|---------|---------|--------|
| M10 x 1 | 7620 | 7620T | 8620 |
| M12 x 1.5 | 7621 | 7621T | 8621 |
| M14 x 1.5 | 7624 | 7624T | |
| M16 x 1.5 | 7622 | 7622T | 8622 |
| M18 x 1.5 | 7625 | 7625T | |
| M22 x 1.5 | 7623 | 7623T | 8623 |

| Thread Size | Part No |
|-------------|---------|
| M12 x 1.5 | 7621ST |
| M16 x 1.5 | 7622ST |
| M22 x 1.5 | 7623ST |



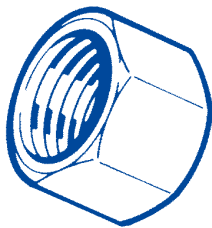
FEMALE TEE



| Thread Size | Part No | Pkt No |
|-------------|---------|--------|
| M16 x 1.5 | 7889G | MAB156 |

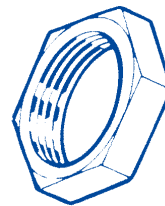
Other sizes available in brass on page 43

TUBE NUT



| Tube OD | Part No | Pkt No |
|---------|---------|--------|
| 6mm | 7680G | 8680 |
| 8mm | 7681G | 8681 |
| 10mm | 7682G | 8682 |
| 12mm | 7683G | 8683 |
| 15mm | 7684G | 8684 |
| 16mm | 7685G | 8685 |
| 18mm | 7686G | |

LOCKNUT



| Thread Size | Part | Pkt |
|-------------|-------|------|
| M12 x 1.5 | 7671G | 8671 |
| M14 x 1.5 | 7672G | 8672 |
| M16 x 1.5 | 7673G | 8673 |
| M18 x 1.5 | 7674G | 8674 |
| M22 x 1.5 | 7675G | 8675 |
| M26 x 1.5 | 7676G | |

Components - Fittings

2

CHROME PLATED BRASS SHUT OFF TAP



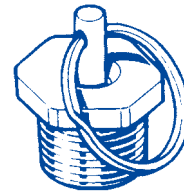
| Thread Size | Part No | |
|-------------|---------|----------------------------|
| 1/4BSP | 0137 | |
| 3/8BSP | 0138 | |
| 1/2BSP | 0132V | vented |
| 1/2BSP | 0132 | black handle |
| 1/2BSP | 0132G | gas approved yellow handle |
| 3/4BSP | 0139 | |
| 1" BSP | 0140 | |
| 1.1/4BSP | 0141 | |

1/4 DRAIN TAP



| Type | Part No |
|-------------------|---------|
| Brass NPT (Shown) | 0133 |
| Chrome BSP | 0134 |
| Butterfly BSP | 0136 |

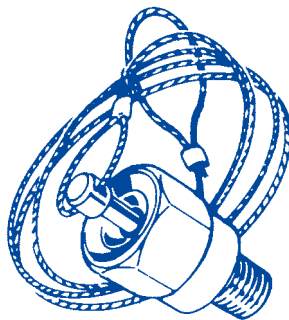
DRAIN TAP



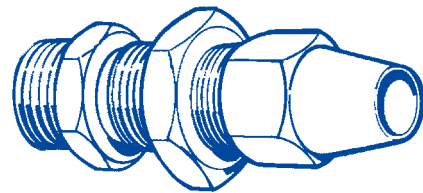
| Thread | Part No | c/w T&O | Pkt No |
|---------------------|---------|---------|--------|
| M22 x 1.5 | 7628 | 7628T | 8628 |
| Complete with cable | 7629 | 7629T | |

REMOTE DRAIN TAP Complete with 6ft Cable

| Thread Size | Part No |
|-------------|---------|
| 1/4 NPT | 0135 |
| 3/8 NPT | 0142 |
| 1/2 NPT | 0143 |
| M22 1.5 | 7629 |

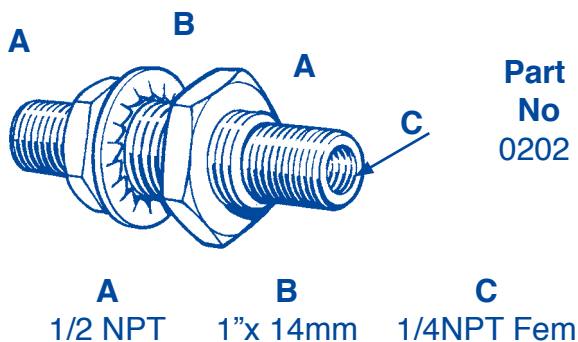


1/2 BSP BULKHEAD COUPLING



| Tube Size | Part No | Pkt Part No | Spare Nut | Spare Olive |
|-----------|---------|-------------|-----------|-------------|
| 3/8OD | 0276 | MAB276 | 0216 | 0206 |
| 1/2OD | 0277 | | 0217 | 0207 |
| 5/8OD | 0278 | | 0218 | 0208 |
| 10mm | 0276M | | | |
| 12mm | 0277M | | | |

FRAME NIPPLE



Part No
0202

A 1/2 NPT B 1" x 14mm C 1/4 NPT Fem

Phone: 01474 321954 Fax 01474 321988

Components - Fittings

TUBE SUPPORTS

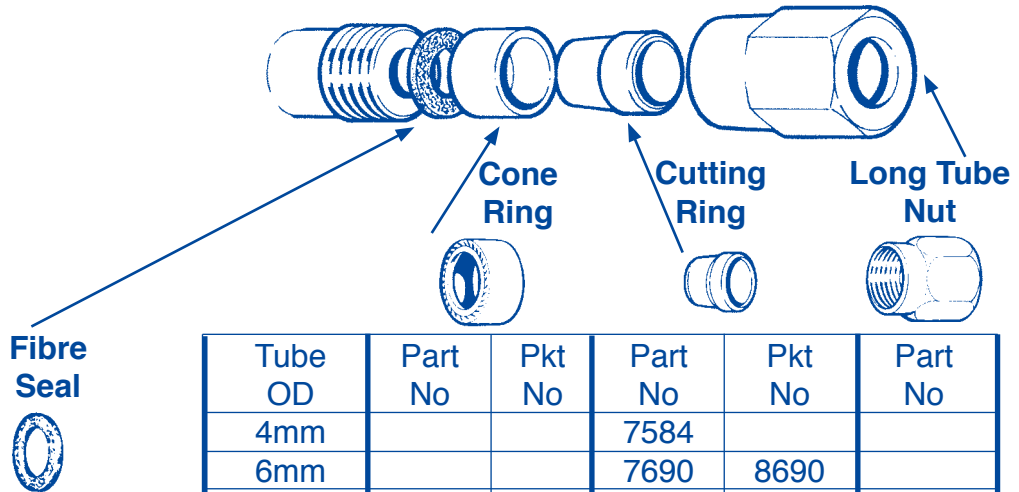
TUBE SUPPORTS MUST ALWAYS BE USED WITH NYLON TUBING 6mm OD AND OVER



| Tube OD | Tube ID | Part No | Pkt No |
|---------|---------|---------|--------|
| 6mm | 4mm | 5151 | 3151 |
| 8mm | 6mm | 5152 | 3152 |
| 9mm | 6mm | 5152 | 3152 |
| 10mm | 7mm | 5153 | 3153 |
| 10mm | 7.5mm | 5160 | 3160 |
| 10mm | 8mm | 5154 | 3154 |
| 12mm | 8mm | 5154 | 3154 |
| 12mm | 9mm | 5155 | 3155 |
| 13mm | 9mm | 5155 | 3155 |
| 14mm | 10mm | 5156 | 3156 |
| 15mm | 11mm | 5157 | 3157 |
| 15mm | 12mm | 5158 | 3158 |
| 16mm | 12mm | 5158 | 3158 |
| 18mm | 14mm | 5159 | 3159 |

Assorted Box 3100

This configuration of fitting assembly is normally used on metal tubing for hydraulic purposes. When used with nylon tubing it can be replaced with fittings that have an integral cone face.



| Size | Part No | Pkt No | Tube OD | Part No | Pkt No | Part No | Pkt No | Part No |
|---------|---------|--------|----------------|---------|--------|---------|--------|---------|
| 12 x 19 | 7659 | 8659 | 4mm | | | 7584 | | |
| 14 x 18 | 7660 | 8660 | 6mm | | | 7690 | 8690 | |
| 16 x 20 | 7661 | 8661 | 8mm | | | 7691 | 8691 | |
| 12 x 19 | 7659 | 8659 | 10mm | | | 7692 | 8692 | |
| 10 x 14 | 7658 | | 12mm | | | 7693 | 8693 | |
| 18 x 24 | 7662 | | 15mm | 7708 | 8708 | 7694 | 8694 | 7688G |
| | | | 16mm | 7709 | | 7695 | 8695 | 7697G |
| | | | 18mm | 7710 | | 7696 | 8696 | 7689G |
| | | | 13mm (Hose ID) | | | | | 7687G |

Assorted Box 7639

Phone: 01474 321954 Fax 01474 321988