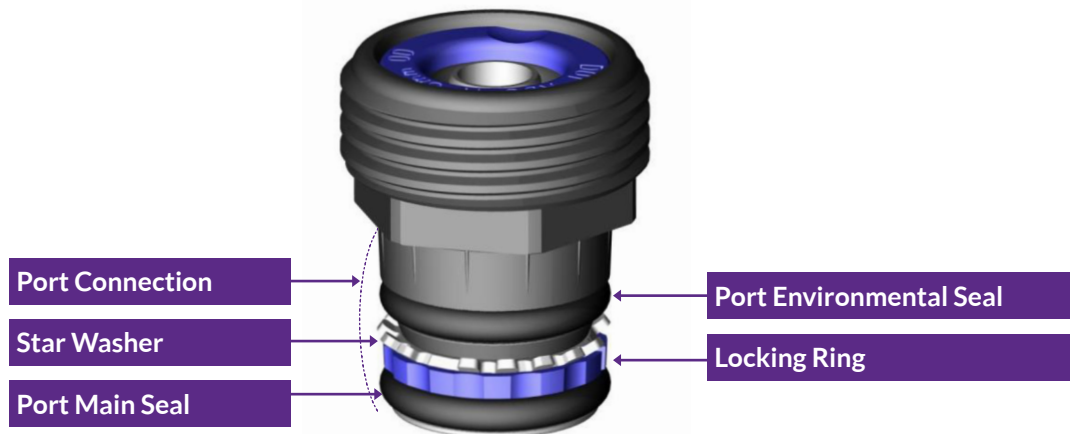


Raufoss ABC KArtridge System

Product Overview

- Integrated press-in pneumatic cartridge coupling system for commercial vehicle applications.
- Grip-Then-Seal push-in technology ensures secure tube retention before sealing.
- Integrated Check Valve provides audible confirmation of correct tube assembly.
- Designed for fast automated or manual press-in assembly.
- Serviceable design - cartridge can be replaced if required.



Performance Specifications

- Integrated press-in pneumatic cartridge coupling system for commercial vehicle applications.
- Grip-Then-Seal push-in technology ensures secure tube retention before sealing.
- Integrated Check Valve provides audible confirmation of correct tube assembly.
- Designed for fast automated or manual press-in assembly.
- Serviceable design - cartridge can be replaced if required.

Assembly & Manufacturing Advantages

- Simple axial press-in installation with mechanical stop.
- Star washer provides secure locking in port.
- No additional lubrication required.
- Optimized for automated or semi-automated production lines.
- Controlled maximum press-in forces (600-1200 N depending on size).

Tube Installation Features

- Tool-free manual tube insertion.
- Grip-Then-Seal principle prevents tube blow-out.
- Audible whistle via Check Valve if tube not fully inserted.
- Re-push under pressure until whistle stops for correct assembly.
- Maximum 5 tube reassemblies over product lifetime.

Size & Tube Compatibility

Port Size	Tube Range	Cap Colour
Small	4 x 1mm - 8 x 1mm	White
Regular	8 x 1mm - 12 x 1.5mm	Green
Large	15 x 1.5mm - 16 x 2mm	Blue